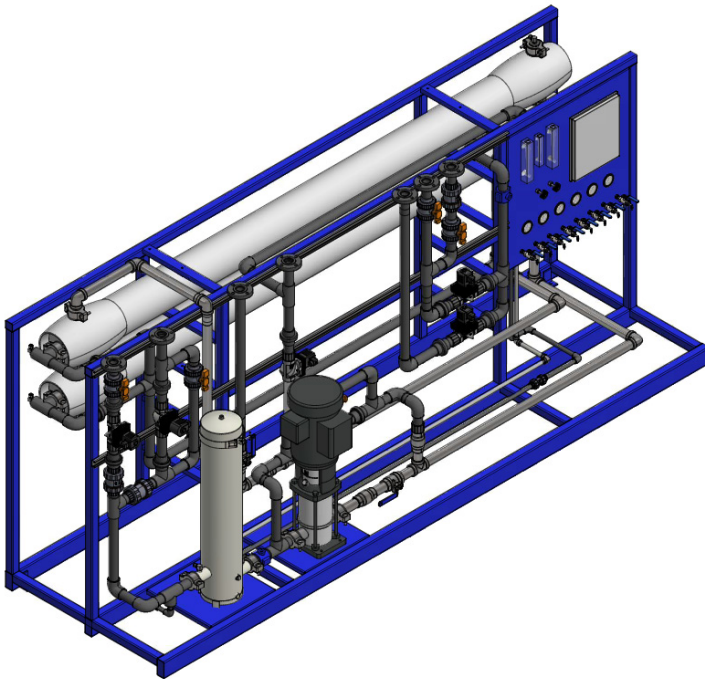


# DRO8040-6

Membrane Quantity	Permeate Flow Range	Maximum Operating Pressure	Array	Dimensions Height   Width   Depth	Estimated Shipping Weight
6	17 - 25 USGPM	250 psi	1:1	Inches: 68   44   151 Mm: 1733   1118   3835	680 kg (1500 lbs)



## ADDITIONAL ENHANCEMENTS

- Clean-in-Place System
- Clean-in-Place Heater (kW)
- Granular Activated Carbon (GAC)
- Re-pressurization System
- TDS and Feed Conductivity
- Alternative Voltage: 575V, 3P
- Stenner Dosing Pumps
- Custom Membranes
- Calcite Contactor
- Spare Set of Membranes
- Spare Cartridges
- On-Site Commissioning and Training
- CSA Certification

## STANDARD OFFERINGS

### On-Skid Mechanical Equipment:

- Frame: Carbon steel
- Stainless Steel High Pressure Recirculation & Concentrate Piping
- Stainless Steel Pre-Filter Housing and Cartridges
- Low Energy, High Recovery RO Membranes
- Fiberglass Membrane Vessels
- On-Skid Booster Pump (15 HP)
- Raw and Permeate Pressure Switches
- Pre-Filter, Post-Filter, Inter-Stage, Permeate and Concentrate Pressure Gauges
- Inlet, Concentrate, CIP Cleaning, and Permeate Divert Solenoid Valves

### On-Skid Electrical Equipment:

- Microprocessor Controller
- 208V, Three Phase Power
- \* Electrical connections provided by others*

### Chemical Equipment:

- Anti-Scalant Dosing Pump and Day Tank
- \* Shipped loose*

### Installation Requirements:

- **Feed Pressure Supply Range:** 20-40 psi
- **Inlet Connection:** 1½" NPT
- **Permeate Connection:** 1½" NPT
- **Concentrate Connection:** 1½" NPT
- **Proper Electrical Connections**

*\* Expected operating pressures and flow set points can be shared if lab water quality is provided. Predicted system flow rate is based on membrane manufacturer specifications and nominal conditions. Membrane production varies with water quality, operating pressure, temperature, pH, and recovery. Anti-scalant chemical injection required.*